

GYF-300W Foot Stay (Two Angle Lock)

Swing door opening

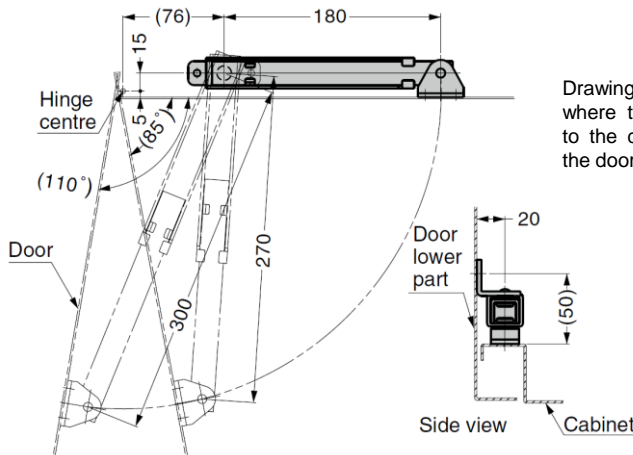
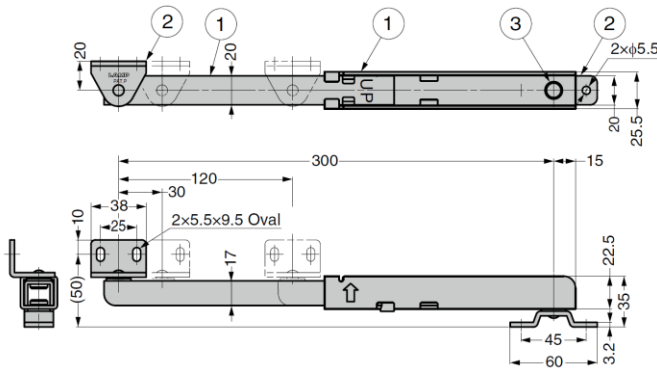
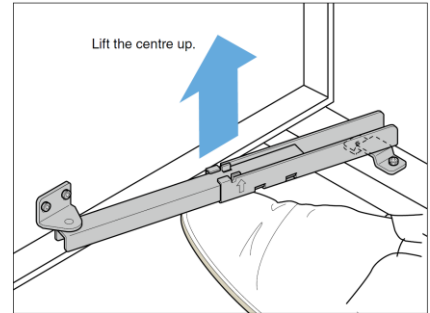
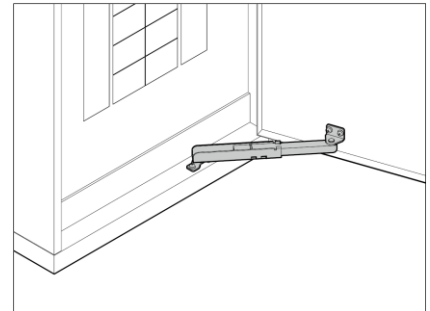
Opening Direction	Description	Lock Release Part	Tension Force	Compression Load
 Swing Door	Two-angle Lock	Body (Lifting with Foot)	1470 N/pc (150 kgf/pc)	588 N/pc (60 kgf/pc)

Features

- Locks the door at two angles: 85° and 110° (fully opened)
- Simply lift the stay with foot toe to release the lock
- Non-handed: Can be installed on left or right side
- Designed for bottom mount (vertical use not allowed)

Notes

- Release the lock while supporting the door
- Do not step on the stay
- Open or close the door slowly. Quick opening operation may not lock the door
- Opening angle and installation position changes depending on hinge position



No.	Part Name	Material	Finish
①	Body	Steel (SPCC)	Coloured Zinc Chromate (Trivalent)
②	Bracket		
③	Shaft	Stainless Steel (SUS304)	-

Part No.	Tension Force (per piece)	Compression Load (per piece)
GYF-300W	1470 N	588 N
	150 kg	60 kg